



# DEEP CYCLE

**SERIES: 5000**  
**MODEL: 4 CS 17P**

**BATTERY ENGINEERING**  
**WWW.ROLLSBATTERY.COM MADE IN CANADA**

**BATTERY TYPE: 4 VOLTS**

### DIMENSIONS:

<b>LENGTH</b>	365 MM	14 3/8 INCHES
<b>WIDTH</b>	210 MM	8 1/4 INCHES
<b>HEIGHT</b>	464 MM	18 1/4 INCHES

### WEIGHTS:

<b>WEIGHT DRY</b>	44 KG	98 LBS.
<b>WEIGHT WET</b>	58 KG	128 LBS.

### CONTAINER CONSTRUCTION:

<b>CONTAINER: (INNER)</b>	POLYPROPYLENE	<b>TERMINALS:</b>	FLAG WITH STAINLESS STEEL NUTS AND BOLTS
<b>COVER: (INNER)</b>	POLYPROPYLENE - HEAT SEALED TO INNER CONTAINER	<b>HANDLES:</b>	ROPE
<b>CONTAINER: (OUTER)</b>	HIGH DENSITY POLYETHYLENE		
<b>COVER: (OUTER)</b>	HIGH DENSITY POLYETHYLENE SNAP FIT TO OUTER CONTAINER		

### PLATES:

**POSITIVE PLATE DIMENSION:**

<b>HEIGHT</b>	273 MM	10.750 INCHES
<b>WIDTH</b>	143 MM	5.625 INCHES
<b>THICKNESS</b>	6.73 MM	0.265 INCHES

**CELLS:** 2      **PLATES/CELL:** 17

POSITIVE PLATE DOUBLE WRAPPED WITH SLYVER ENVELOPED WITH HEAVY DUTY SEPARATOR

**NEGATIVE PLATE DIMENSION:**

<b>HEIGHT</b>	273 MM	10.750 INCHES
<b>WIDTH</b>	143 MM	5.625 INCHES
<b>THICKNESS</b>	4.70 MM	0.185 INCHES

**SEPARATOR:**

<b>THICKNESS</b>	3 MM	0.105 INCHES
------------------	------	--------------

**INSULATION:**

<b>GLASS MAT</b>	1 MM	0.020 INCHES
------------------	------	--------------

### CAPACITY:

**CRANK AMPS:**

<b>COLD (CCA)</b>	0°F / -17.8°C	1357
<b>MARINE (MCA)</b>	32°F / 0°C	1696

**ELECTROLYTE RESERVE:**

<b>ABOVE PLATES</b>	95 MM	3.75 INCHES
---------------------	-------	-------------

**RESERVE CAPACITY:**

<b>RC @ 25A</b>	1083 MINUTES
-----------------	--------------

**20 HR RATE: 546**

	<b>HOUR RATE</b>	<b>SPECIFIC GRAVITY</b>	<b>CAP / AH</b>	<b>CURRENT / AMPS</b>
CAPACITY @	100 HOUR RATE	1.280 SP. GR.	770	7.70
CAPACITY @	72 HOUR RATE	1.280 SP. GR.	726	10.09
CAPACITY @	50 HOUR RATE	1.280 SP. GR.	672	13.43
CAPACITY @	24 HOUR RATE	1.280 SP. GR.	568	23.7
<b>CAPACITY @</b>	<b>20 HOUR RATE</b>	<b>1.280 SP. GR.</b>	<b>546</b>	<b>27.3</b>
CAPACITY @	15 HOUR RATE	1.280 SP. GR.	508	33.9
CAPACITY @	12 HOUR RATE	1.280 SP. GR.	475	39.6
CAPACITY @	10 HOUR RATE	1.280 SP. GR.	453	45.3
CAPACITY @	8 HOUR RATE	1.280 SP. GR.	426	53.2
CAPACITY @	6 HOUR RATE	1.280 SP. GR.	388	64.6
CAPACITY @	5 HOUR RATE	1.280 SP. GR.	366	73
CAPACITY @	4 HOUR RATE	1.280 SP. GR.	339	85
CAPACITY @	3 HOUR RATE	1.280 SP. GR.	306	102
CAPACITY @	2 HOUR RATE	1.280 SP. GR.	262	131
CAPACITY @	1 HOUR RATE	1.280 SP. GR.	186	186



I STATION RD SPRINGHILL, NOVA SCOTIA CANADA B0M 1X0 1.800.681.9914

REV.2  
Jan-10  
4 CS 17P

PART NUMBER: 4-CS-17P

WEIGHT WET: 128 LB / 58 KG

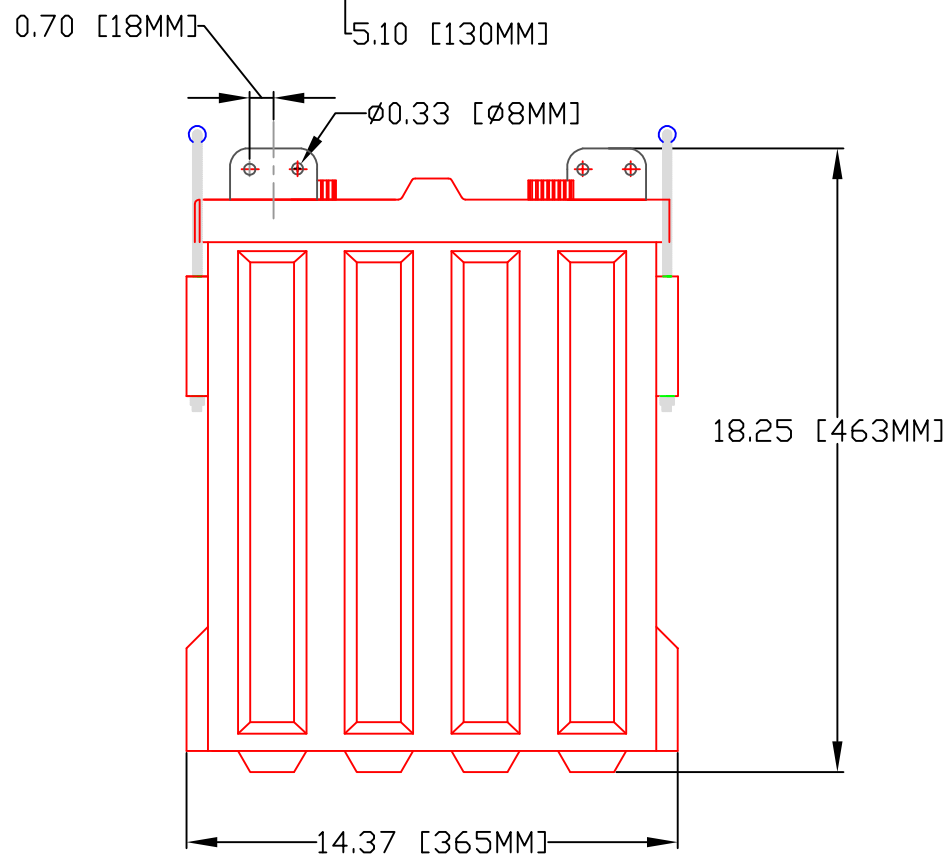
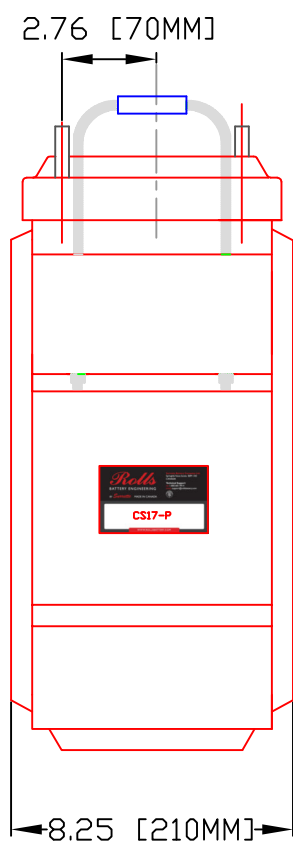
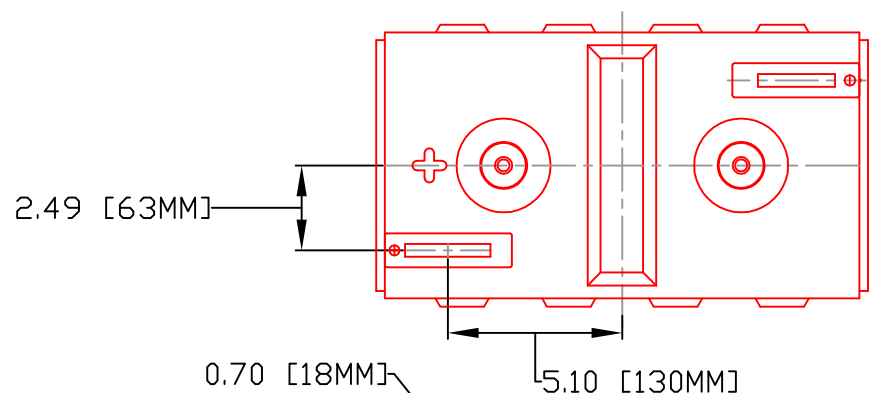
WEIGHT DRY: 98 LB / 44 KG

CAPACITY: 546 AH 20 HR

VOLTAGE: 4 V

OVERALL DIMENSIONS: 14<sup>3</sup>/<sub>8</sub>" X 8<sup>1</sup>/<sub>4</sub>" X 18<sup>1</sup>/<sub>4</sub>"

MAX HEIGHT WITH OPTIONAL HYDROCAPS 18.63" / 473MM



TITLE: 4CS17P

DESCRIPTION: 4V / 2 CELL 17 PLATE (CS) DEEP CYCLE

CONTACT INFO:  
WEB: WWW.ROLLSBATTERY.COM  
E-MAIL: SALES@ROLLSBATTERY.COM  
PHONE: 1-800-681-9914

SCALE: 1" = 6" 8.5" X 11"    1" = 4" 11" X 17"    JPEG NOT TO SCALE

Drawn by: S. WILES    Approved By: D. SURRETTE

DATE: JAN-2010    REVISION 2.0

DRAWING NO.: DWG 027, BD4CS17P